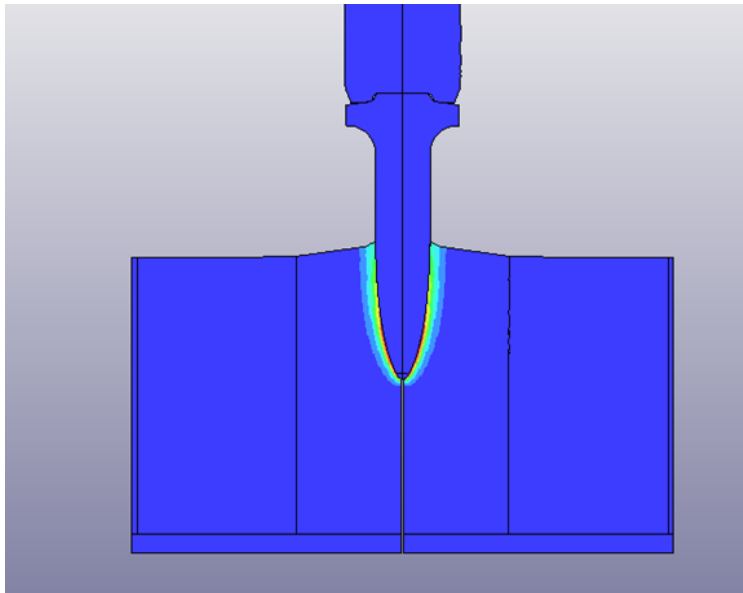


3D REMESHING IN LS-DYNA

Problem Description

- Some HILTI applications experience large deformation, heavily deforming the used mesh. This might cause the simulation to break down.
- Remeshing can be a viable option to deal with such problems. Remeshing can however cause different problems



Objectives & Tasks

- Investigate different options for 3D-remeshing in LS-Dyna.
- Possibly implement an automated remeshing algorithm outside of LS-Dyna and link it to LS-Dyna.
- Make a benchmark on a HILTI-relevant example
- Provide a framework that can be used in future projects.

